

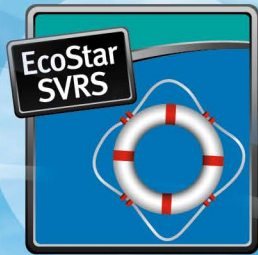


EcoStar™ and EcoStar SVRS™

VARIABLE SPEED PUMPS

PUMPS

The most
energy efficient
pumps at
any speed.



Total System: **Pumps** | Filters | Heating | Cleaners | Sanitization | Automation | Lighting | Safety

EcoStar™ and EcoStar SVF

are the ideal choice for energy savings

EcoStar's efficiency saves up to \$1,500* in energy costs year after year.

With EcoStar's family of pumps, money flows back into pool owners' pocket. New Hayward® EcoStar is the industry's most energy efficient variable speed pump, thanks to a super-efficient permanent magnet, totally enclosed fan cooled (TEFC) motor and industry leading hydraulic design. Tests prove that EcoStar can save pool owners up to 90% on energy costs compared to ordinary single speed pumps. EcoStar can match pump flow to a pool's needs, versus running at full power 100% of the time.

EcoStar SVRS Safety and peace-of-mind in a pump.

The EcoStar SVRS model features an integrated Safety Vacuum Release System (SVRS) that helps prevent suction entrapment without additional devices, plumbing or wiring. It meets or exceeds all relevant ASME/ANSI standards as required by the Virginia Graeme Baker Pool and Spa Safety Act and similar state and local requirements.

EcoStar and EcoStar SVRS install easily and work with a wide variety of equipment.

Customers can save significant time and money by installing EcoStar, without having to buy additional equipment or accessories. It's fully programmable with a self-contained 24-hour clock and up to 8 custom speed and timer functions that allow EcoStar to manage flow throughout the day. EcoStar can alternatively be controlled by Hayward controls such as Pro Logic®, OnCommand™, and E-Command® 4 or third party pool and spa controls. Whether used in new construction or aftermarket applications, EcoStar is the perfect choice.

Quiet by design.

Sunday afternoons and soft summer nights are never interrupted. EcoStar's variable speed control assures that the water flows at the rate needed, and because EcoStar's advanced hydraulic design moves water more efficiently, the motor can run at even lower speeds for incredibly quiet operation.



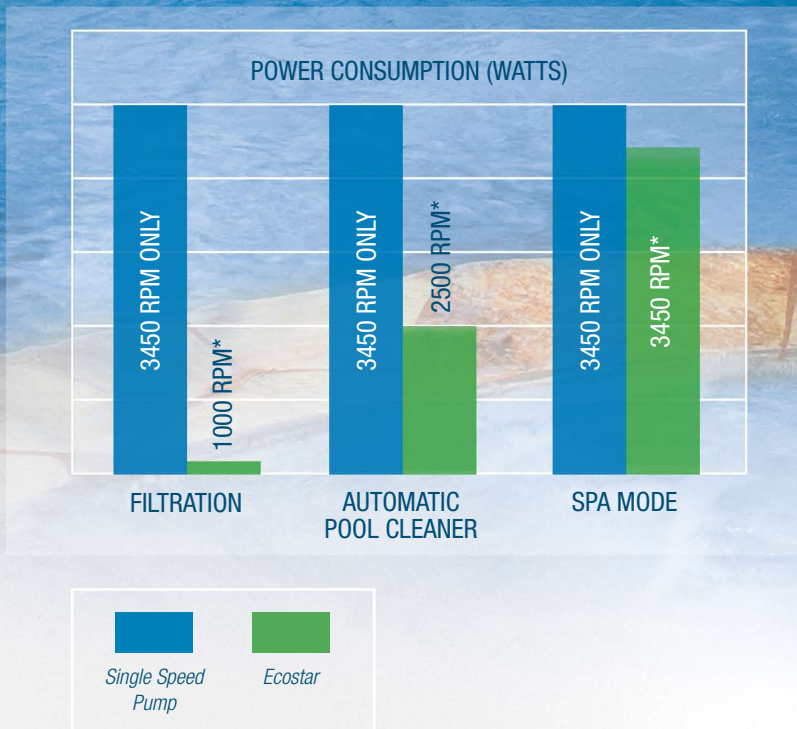


**Savings compared to a single speed pump running 12 hours per day, on a 20,000 gallon pool, at a national average electrical rate of \$.15/kWh. Actual savings may vary based on comparison pump model, hours of operation, electrical rate and other hydraulic aspects such as plumbing size and length.*

- 1** Larger basket extends time between cleanings
- 2** 2" x 2 1/2" union connections
- 3** Industry-leading hydraulic design
- 4** Permanent magnet, totally enclosed fan cooled (TEFC) motor
- 5** Innovative multi-position digital control interface



EcoStar saves both energy & money



User and environmentally friendly.

EcoStar is extremely easy to use, even for a new pool owner. It has a next-generation, integrated digital control interface that's intuitive to operate and always faces a convenient direction as it can be mounted in four different positions on the pump or can be removed and wall-mounted. That's especially important if the pump sits in a tight space. EcoStar also provides on-board diagnostics and automatic protection for priming, freezing and voltage to ensure seamless operation.

A pump that creates a cleaner pool?

When operating at lower speeds, EcoStar moves water more efficiently through the filter, which means more particulate is removed from pool and spa water, for clearer water. For added convenience, a no-rib basket design ensures easy debris removal.

** Assumed speeds measured in revolutions per minute. EcoStar can be "dialed in" to the specific speed needed for the given application.*

Revolutionary digital control interface
rotates to 4 different positions
or mounts on the wall.



EcoStar's digital control interface can be rotated for a more convenient view on the pump itself.



Digital control interface design with easy-to-read display shows information such as pump speed and power consumption.



The digital control interface can also be removed from the pump and mounted on the wall beside it.



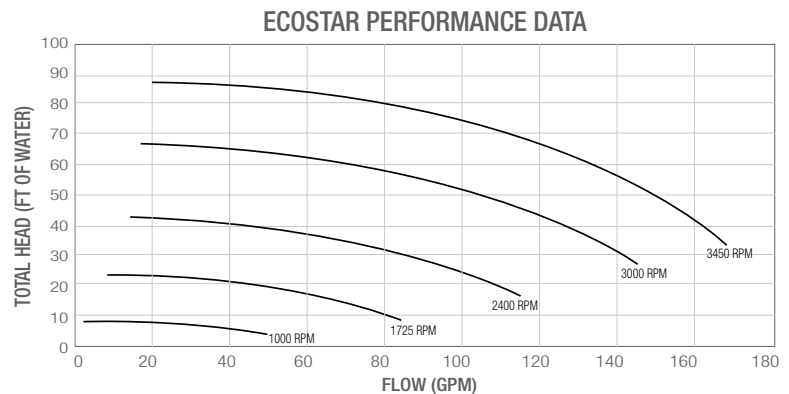
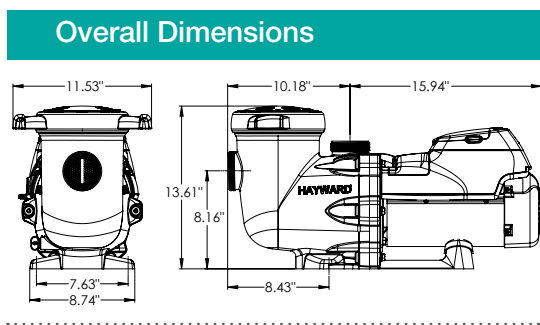
Application and Installation

- In-ground pools of all types and sizes, pool/spa combinations
- Ideal for water features such as waterfalls and fountains
- Fully programmable with a self-contained 24-hour clock and up to 8 custom speed and timer functions
- For enhanced pool management, can be controlled by Hayward® or third party pool and spa control platforms, without the need for additional accessories

Additional EcoStar™ Features and Benefits

- Automatic protection from priming failures, freezing temperatures, voltage spikes and brownouts
- Includes digital control interface wall-mount kit
- 2" x 2½" CPVC union connections provide easy installation and service
- No-rib basket design ensures easy debris removal
- Extra leaf-holding capacity basket extends time between cleanings
- Pressure testable to 50 psi maximum
- Auto-priming capability, with suction lift up to 10' above water level

Model Number	Description	Speed Range	Voltage	Union Connections
SP3400VSP	EcoStar	600-3450 RPM	230V Single Phase	2" x 2½"
SP3400VSPVR	EcoStar SVRS	1000-3450 RPM	230V Single Phase	2" x 2½"



EcoStar runs efficiently in all of these ranges.

To take a closer look at Hayward EcoStar, go to www.haywardnet.com or call 1-888-HAYWARD.



620 Division Street | Elizabeth, NJ 07201

EcoStar Series Pumps are listed by:



Hayward, Pro Logic and E-Command are registered trademarks and EcoStar and OnCommand are trademarks of Hayward Industries, Inc. © 2010 Hayward Industries, Inc.

LITECOSB10